

## Features

- ◇ Select the high response PIN optical detector for optical receiving part.
- ◇ The range of optical power -8 dBm ~ 0 dBm
- ◇ RF bandwidth 1GHz
- ◇ Adopt GaAs, high stability
- ◇ -20dB with separate input and output test port, engineering, installation and debugging is very convenient
- ◇ DC12V ~ 15V external DC power supply
- ◇ FP/DFB optional for return part

## Description

OR3100-R 1RLB-type optical receiver is specialized in response to FTTH - Fiber to the home network of the group structure introduced specialty products. This product has a high cost-effective, low-distortion, low power, high reliability, small size, compact structure and the internal circuitry is reasonable, excellent performance. Products are suitable for schools, hospitals, commercial centers, residential, home users, is the first choice for FTTH optical networking products.

## Parameter



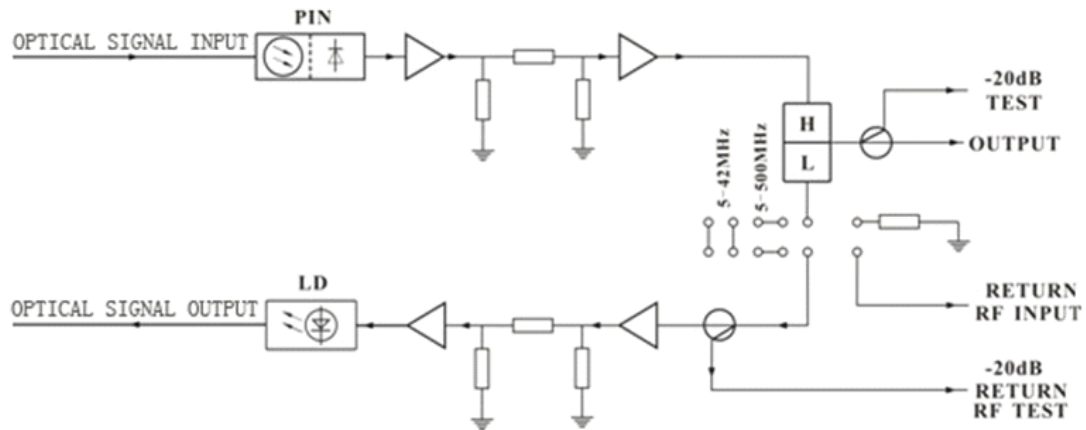


ITEM	UNIT	PERFORMANCE PARAMETERS
<b>OPTICAL PARAMETERS</b>		
Optical Receiving power	dBm	-8 ~ 0
Optical Return Loss	dB	>45
Optical Receiving Wavelength	nm	1100 ~ 1600
Optical Connect Type		SC/APC
Optical Fiber Type		Single Mode
<b>FORWARD PERFORMANCE</b>		
Frequency Range	MHz	54 ~1000
Flatness in Band	dB	±1
Rated Output Level	dBuV	82 -4dBm Input
Output Return Loss	dB	(5~550MHz)≥16.(550~860MHz)≥14.(860~1000MHz)≥12
C/N	dB	≥ 48 -4dBm Input
C/CTB	dB	≥ 65 -4dBm Input
C/CSO	dB	≥ 63 -4dBm Input
<b>REVERSE PERFORMANCE</b>		
Frequency Range	MHz	5 ~42
Flatness in Band	dB	±1
RF Input Level	dBμV	82 add to RF input total power
Input Return Loss	dB	≥16
Output Optical Power	MW	1
<b>INSERT FORWARD PERFORMANCE</b>		
Frequency Range	MHz	5 ~500
Flatness in Band	dB	±1
RF Input Level	dBμV	82 add to RF input total power
Input Return Loss	dB	≥16
Output Optical Power	mW	1

<b>GERNERAL PERFORMANCE</b>		
Power Voltage	V	DC 12~15 V
Operating Parameters	℃	-10~40
Stock Temperature	℃	-25~55
Humidity	%	Max 95%
Consumption	VA	≤ 7.5
Dimention	mm	150 (L) * 120 (W) * 35 (H)

◇ HFC/CATV network

### System Chart



### Ningbo Youxin Optic-Electronic Technology Co.,Ltd

Address: 527-528, 95 International Plaza, 598 Jiangnan Road, Hi-Tech Zone, Ningbo, Zhejiang, China

Tel: +86-574-89118312

+86-574-89118313

+86-574-89118317

Email: [youfibercable@youfibercable.com](mailto:youfibercable@youfibercable.com)

MSN: [youfiber@hotmail.com](mailto:youfiber@hotmail.com)

Website: [www.youfibercable.com](http://www.youfibercable.com)